

**MECHANICAL & ELECTRICAL  
COMPONENT**

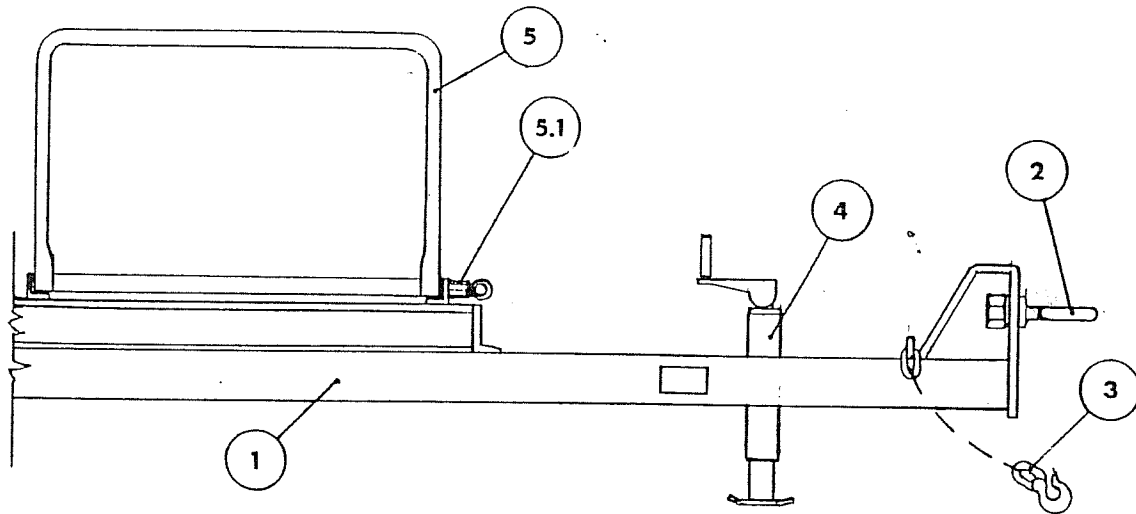
# **PARTS LIST**

**MODEL M-80  
power mulcher**

**CONTENTS**

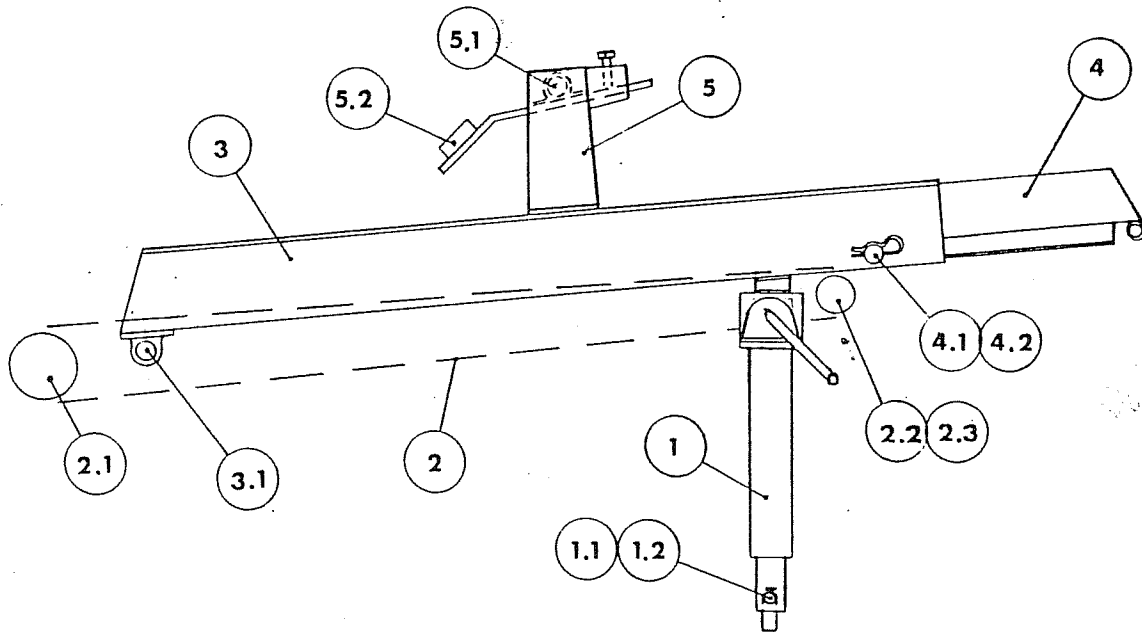
	<b>PAGE</b>
<b>Draw Bar &amp; Shift Platform</b>	<b>1A</b>
<b>Load Tray &amp; Conveyor Feed</b>	<b>2A</b>
<b>Signal &amp; Conveyor Control</b>	<b>3A</b>
<b>Schematic~Signal &amp; Conveyor</b>	<b>4A</b>
<b>Beater Shaft &amp; Component Assembly</b>	<b>5A</b>
<b>Upper Unit</b>	<b>6A</b>
<b>Engine Accessories</b>	<b>7A</b>

# M80 DRAWBAR & SHIFT PLATFORM



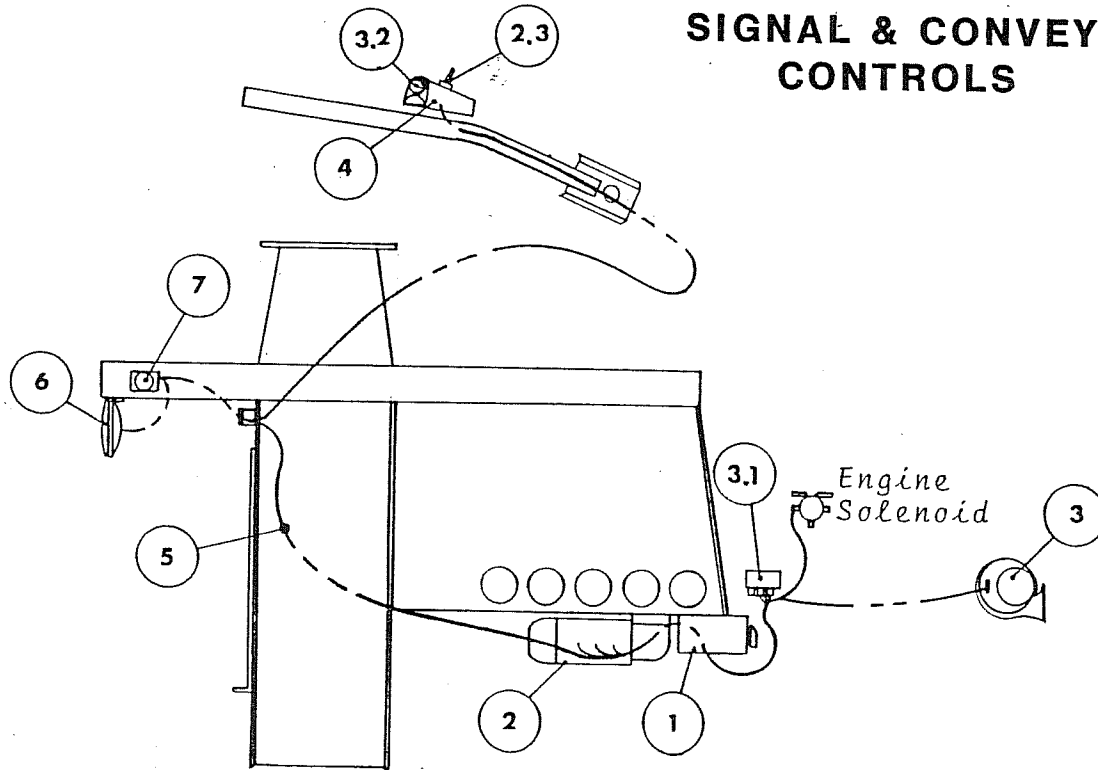
ITEM	COMPONENT DESCRIPTION	PART NO.	REQ.
1	Main Frame	81011000	1
	Axle Assembly (Dexter)	AX5103.00	1
	Wheel 17-49 15x6 Hvy.	AX5103.02	2
	Axle Assembly (Kelsey Hayes)	AX5113.00	ALT.
	Wheel 15 x 6.00 (6 Lug)	AX5113.02	ALT.
	Tire with Tube	TI7201.10	2
	Fender Right Side	81041010	1
	Fender Left Side	81041020	1
2	Tow Ring	C09280.25	1
2.1	Tow Ring Nut with Lockwasher	C09280.26	1
3	Safety Chain with Grabhooks	CH0641.41	1
4	Swing Jack	JA1003.01	1
4.1	Swing Jack Retaining Ring	JA1005.05	1
5	Slide Feed Platform	81031000	1
5.1	Shift Platform Locking Pin	HA7110.01	1

## LOAD TRAY & CONVEYOR FEED



ITEM	COMPONENT DESCRIPTION	PART NO.	REQ.
1	Jack Stand Assembly	81471000	1
1.1	Clevis Pin	HA7150.40	2
1.2	Hairpin Cotter	HA7150.01	2
1.3	Flexible Mount	SH6013.01	2
2	Conveyor Drag Chain	CH0646.22	1
2.1	Drive Sprocket	SP1001.01	1
2.2	Idler Sprocket	SP1002.01	1
2.3	Chain Take Up Assembly		1
3	Chain Feed Tray		1
3.1	Chain Feed Tray Bearing	BE0225.02	2
4	Slide Tray		1
4.1	Locking Cross Bar		1
4.2	Hairpin Cotter	HA7150.02	2
5	Flaker Dragbar Assembly		1
5.1	Dragbar Bearing	BE0225.02	1
5.2	Dragbar Weight		1

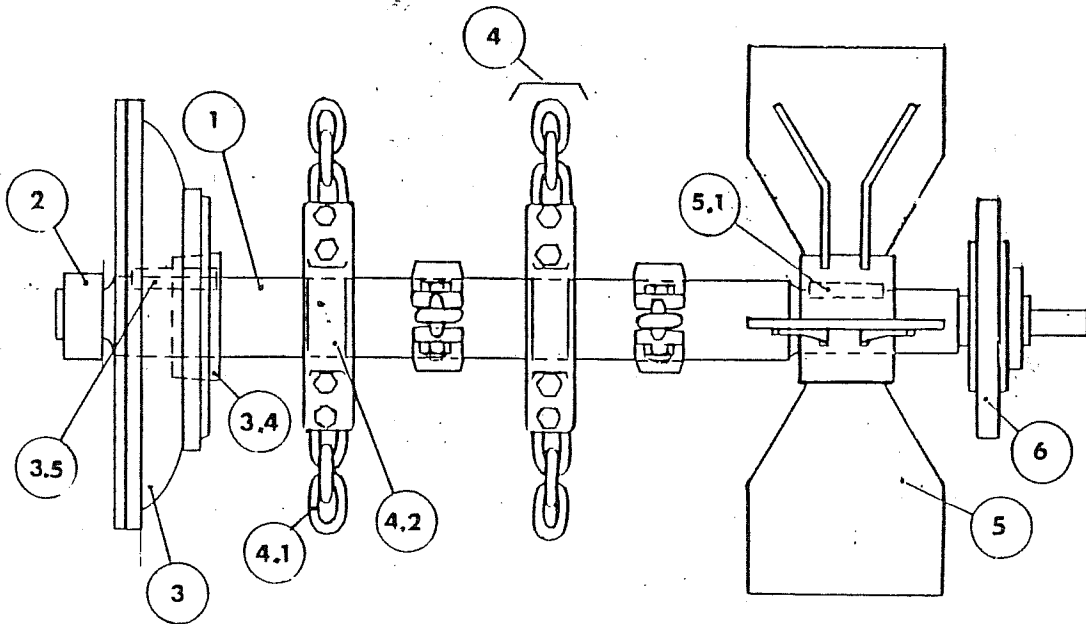
## SIGNAL & CONVEYOR CONTROLS



ITEM	COMPONENT DESCRIPTION	PART NO.	REQ.
1	Conveyor Control Box		1
2	Conveyor Motor/Bearbox Assembly	M08601.01	1
2.1	Conveyor Motor )Only)	M08601.00	EA.
2.2	Gearbox Only	GE1001.01	EA.
2.3	Conveyor Motor Switch	EL2101.20	1
3	Signal Horn 12V	SI0901.05	1
3.1	Horn Relay	EL2102.01	1
3.2	Horn Switch-Momentary	EL2101.01	1
4	Handle Bar Control Box		1
5	Control Wiring Harness		1
6	Safety Lamp	LI3304.01	1
7	Flasher Control	EL2105.01	1

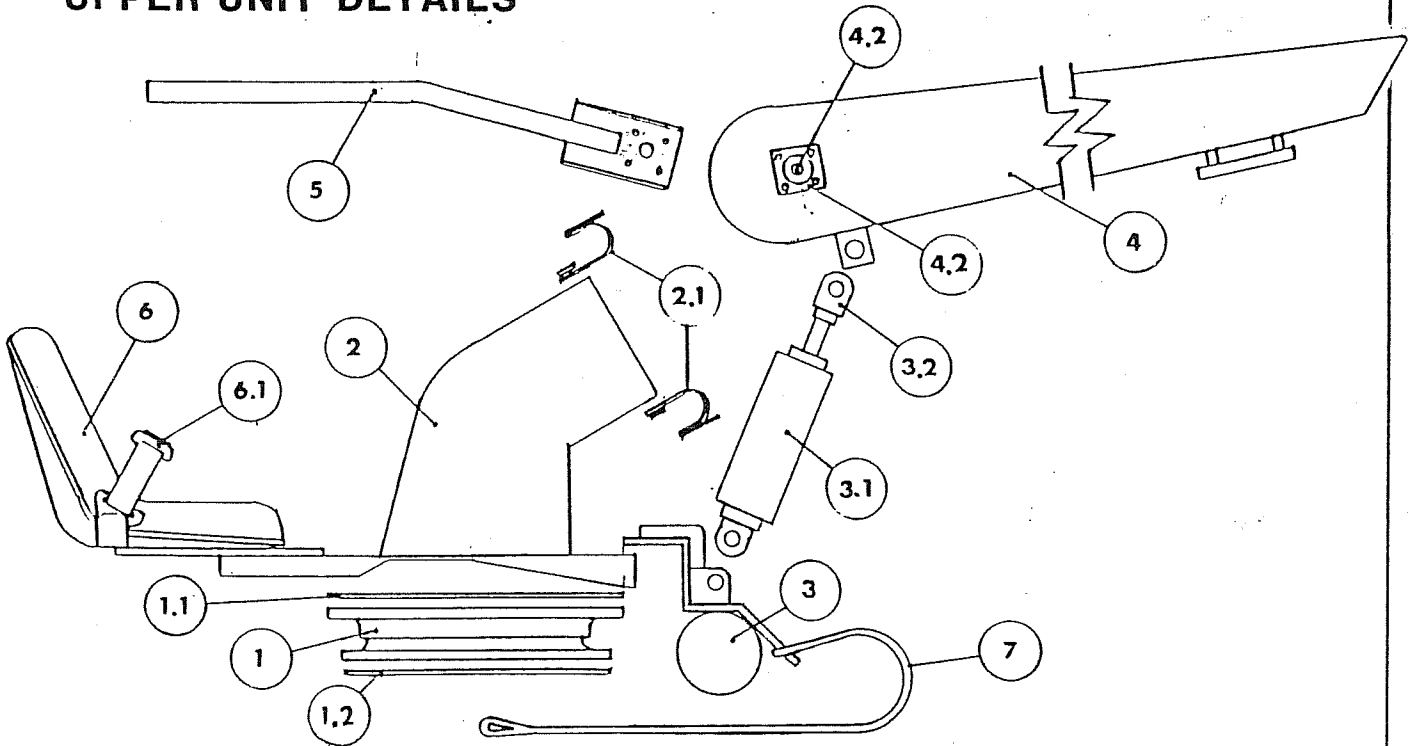


## BEATER SHAFT & COMPONENT ASSEMBLY



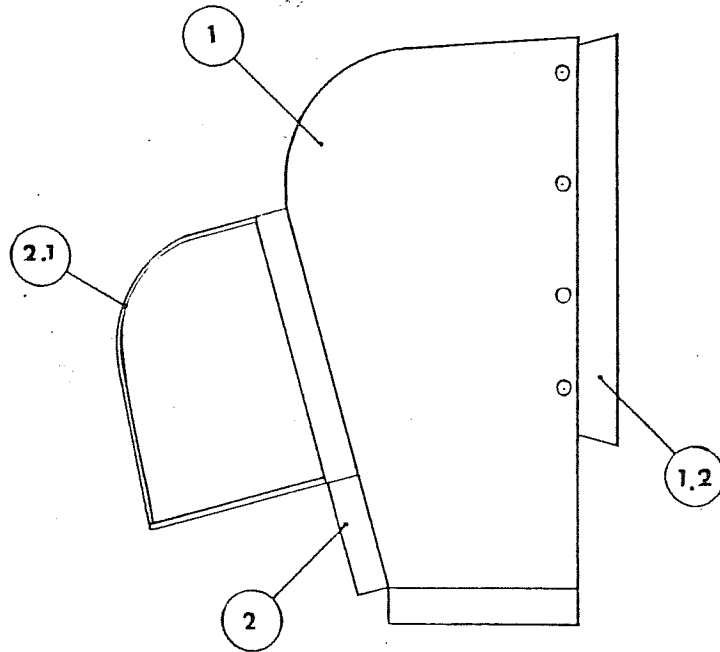
ITEM	COMPONENT DESCRIPTION	PART NO.	REQ.
1	Beater Shaft	81171010	1
2	Pilot Bearing	BE0500.01	1
3	Drive Coupling Assembly PF116 Paraflex	C08525.00X	1
3.1	Coupling Element 011230	C08525.01	1
3.2	Coupling Bolt Ring Assy. 011250	C08525.02	1
3.3	Coupling Flange Assy. PX-100	C08525.03	1
3.4	Coupling Bushing TL2517 (2½"B)	BU7370.01	1
3.5	Bushing Key 1/2x5/8x3 BER	KE9003.21	1
4	Beater Chain/Bracket Assy. 3 Link w/Bolts & Nuts	83271030	4
4.1	Chain Only 3 Link	CH0646.03	EA.
4.2	Bracket Only	83251000	EA.
5	Blower Wheel 1-15/16"B	BL6000.04	1
5.1	Blower Key 1/2"x5 BER	KE9003.20	1
6	Shaft Bearing 1-3/4"B	BE0348.01	1

# UPPER UNIT DETAILS



ITEM	COMPONENT DESCRIPTION	PART NO.	REQ.
1	Slew Bearing Assembly	84011000	1
1.1	Slew Bearing Top Gasket	GA7001.11	1
1.2	Slew Bearing Bottom Gasket	GA7001.12	1
1.3	Slew Bearing Air Seal	GA7003.02	1
2	Discharge Elbow		1
2.1	Boom Air Seal	84041010	2
3	Boom Counter Balance Assembly		1
3.1	Cylinder (3x7 Type A)	CY5405.00	1
3.2	Cylinder Clevis (#345)	CY5405.01	1
3.3	Clevis Pin (7/16x3/4)	HA7150.41	1
3.4	Head End Pin (7/16x1½)	HA7150.42	1
3.5	Hairpin Cotter (.0915)	HA7150.01	2
3.6	Hose Elbow (FN05-06MB90)	HO7740.36	2
3.7	Hose C-405 (5/16)	HO7303.11	9"
3.8	Resevior (4x10 300 PSI)		1
3.9	Valve 645-L8B		1
3.10	Cylinder Bracket		1
4	Discharge Boom		1
4.1	Discharge Boom Bearing	BE0318.02	2
4.2	Bearing Shoulder Bolt 3/4x2	FA1189.20	2
5	Boom Handle Bar (Right Side)	84051010	1
5.1	Boom Handle Bar (Left Side)	84051020	1
6	Operator Seat	SE0002.00	1
6.1	Seat Belt Assembly	SE0002.10	1
7	Boom Stop Cable Assembly		1

# ENGINE ACCESSORIES



ITEM	COMPONENT DESCRIPTION	PART NO.	REQ.
1	Screen Housing		1
1.2	Screen Housing Gasket	GA7004.01	1
2	Filter Screen	SC7002.00	1
2.1	Filter Screen Shield		1
3	Engine Side Cover Right Side		1
3.1	Engine Side Cover Left Side		1